

2.1 PACKAGE

Check that the following components have been included:

- 10/100 Media Converter
- 120V/60 Hz AC Adapter
- Wall mount kit
- Installation guide

If an item is missing or damaged, please contact [Hubbell Control Solutions Tech Services](http://www.hubbellcontrolsolutions.com/tech-services).

2.2 SAFETY PRECAUTIONS

PRECAUTIONS

Read and understand all instructions before beginning installation.

NOTICE: For installation by a licensed electrician in accordance with National and/or local Electrical Codes and the following instructions.

Confirm device ratings are suitable for application prior to installation. Use of device in applications beyond its specified ratings or in applications other than its intended use may cause an unsafe condition and will void manufacturer’s warranty.

Operate the product only from the type of external power source indicated on the electrical ratings label. If you are not sure of the type of power source or adapter required, consult your local agent or manufacturer directly.

Not rated for outdoor use.

NOTICE: Do not install if product appears to be damaged.

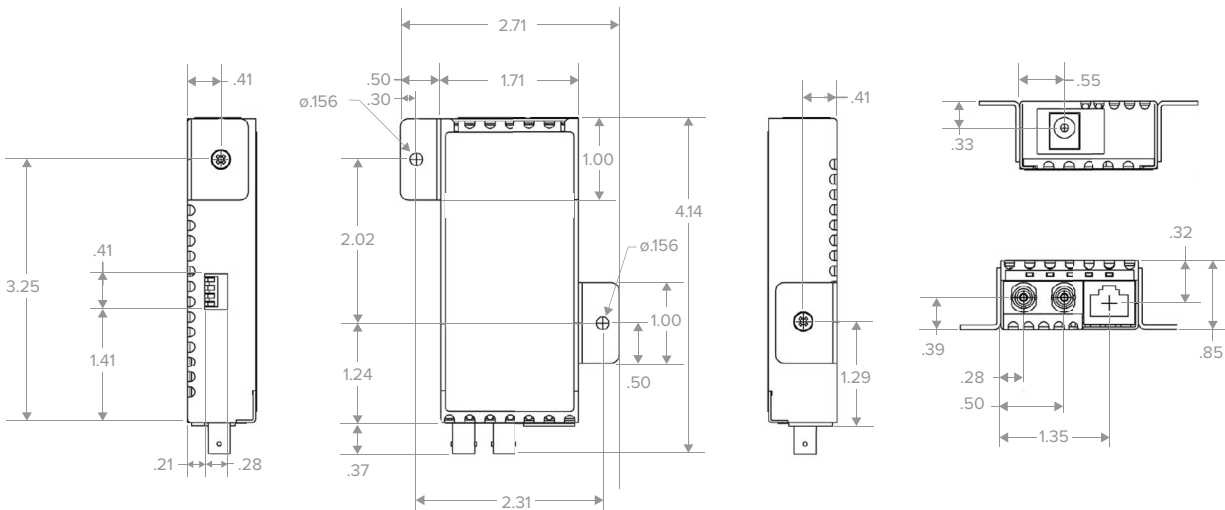
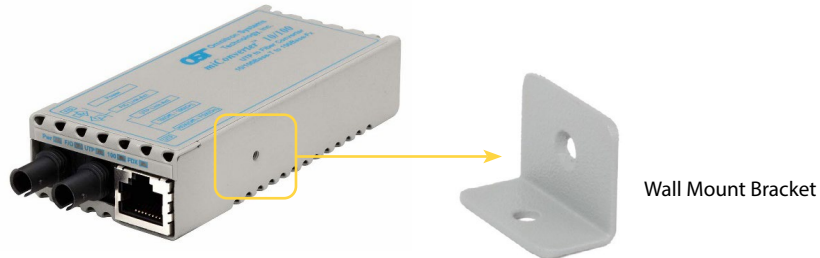
2.3 MOUNTING THE DEVICE

DESKTOP MOUNTING

The media converter can be mounted on a desktop or shelf. Make sure that there is proper heat dissipation and adequate ventilation around the device. Do not place heavy objects on the device.

WALL MOUNTING

The media converter can be mounted using the wall mounting bracket (included). There are two holes on each side of the media converter that allow the wall mounting brackets to be attached.



DIMENSIONAL DRAWING SHOWING MEDIA CONVERTER ATTACHED WITH 2 WALL MOUNT BRACKETS

2.4 INSTALLATION STEPS

1. Attach the RJ45 Port of the NX Media Converter to the NX Bridge (NXHNB2) or NX PoE Switch via Cat5 or Copper Ethernet Cable.
2. Attach the fiber port of the NX Media Converter to a 100Base-X Fast Ethernet Device (in this case, it would be a NX Media Converter) via an appropriate fiber cable.
3. Use dual-fiber multimode cable with ST connectors (OM1 62.5/125, OM2/OM3/OM4 50/125) . See picture below for reference.



DUAL-FIBER MULTIMODE CABLE

4. The NX Media Converter transmitter (Tx) must attach to the receiver side of its link partner; the receiver (Rx) must attach to the transmitter.

Note: In this application, you would need to connect two fiber cables, so that the data can flow in both directions. See Figure 2 for reference.

5. Connect the provided AC Adapter to the Media Converter, shown below.
 - a. Connect power adapter DC plug to the DC input jack located on the back of the converter before connecting to the AC outlet.
 - b. To ensure against accidental disconnection, tie the DC cable with the cable tie if needed.
 - c. Connect the power adapter to the AC outlet.
 - d. Check Power LED indication. Green indicates DC power is applied and the converter is “ON”.
6. The NX Media Converter has 4 DIP switches on the side of the module. The DIP switches allow the RJ45 port to be configured for auto-negotiation or manual operation.

Note: The factory default should have ALL DIP switches in the down position. Leave DIP switch settings to factory default. Do not change.

*If switches are not in default position upon unpacking, set them back to default.

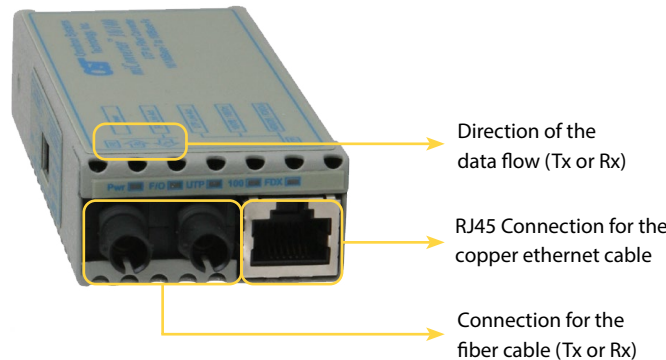


FIGURE 1: KEY CONNECTION POINTS

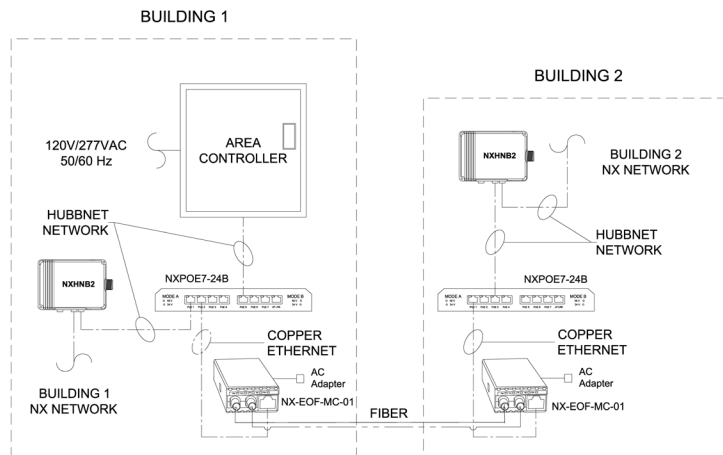


FIGURE 2: TYPICAL APPLICATION FOR NX MEDIA CONVERTER

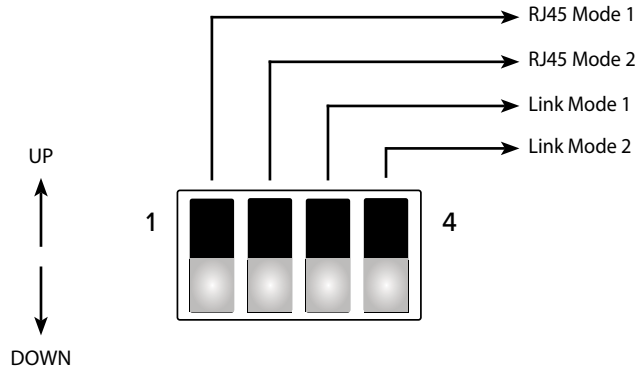


FIGURE 3: DEFAULT CONFIGURATION MODE FOR DIP-SWITCHES

POWERED BY EXTERNAL POWER ADAPTER

The NX media converter should only be used with the supplied AC power supply included in the package. Using any power supply other than what is provided will void the Limited 5-Year Warranty for the product. Before inserting the Power Adapter, verify that the outlet being used is rated for 120V only.

EXTERNAL POWER ADAPTER SPECIFICATIONS

- Rated Input: 120VAC/ 60Hz @ 0.03A
- Rated Output: 9VDC @ 0.28A

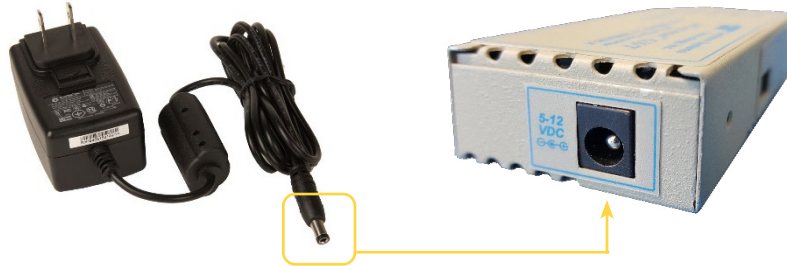


FIGURE 4: AC POWER ADAPTER